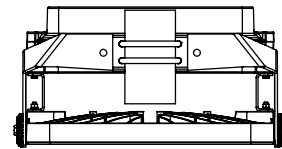
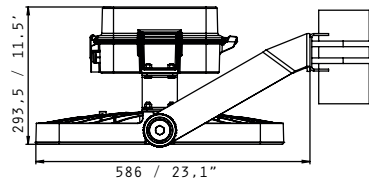
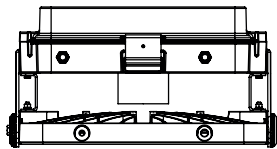
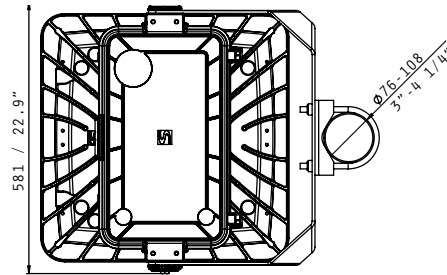


Schréder OMNISTAR KIT STD

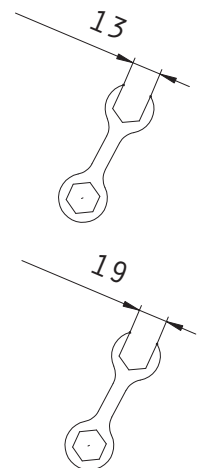
ENG	INSTALLATION INSTRUCTIONS	ITA	ISTRUZIONI DI INSTALLAZIONE	NLD	INSTALLATIE INSTRUCTIES	DAN	INSTALLATIONSVEJLEDNING	HUN	TELEPÍTÉSI ÚTMUTATÓ
DEU	INSTALLATIONSANLEITUNG	POL	INSTRUKCJE MONTAŻU	RUS	Инструкции по установке	RON	INSTRUCȚIUNI DE INSTALARE	CHI	安装说明
FRA	INSTRUCTIONS DE MONTAGE	SPA	INSTRUCCIONES DE INSTALACIÓN	POR	INSTRUÇÕES DE INSTALAÇÃO	SWE	INSTALLATIONSANVISNING	UKR	Інструкції з монтажу
SRP	UPUTSTVA ZA INSTALACIJU	AR	تعليمات التركيب						



		IEC EN60598				CxS 0.23m ²	 27kg	75-480W	120-277V 220-240V 347-480V 50/60Hz	IP 66	IK OB-Glass 08	IK OB-PC 10	IK GB 08
--	--	----------------	--	--	--	---------------------------	----------	---------	---	----------	----------------------	-------------------	----------------

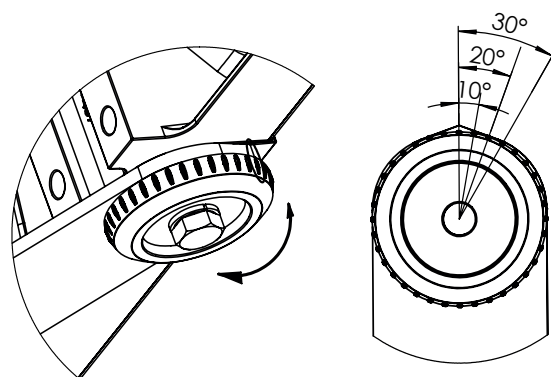
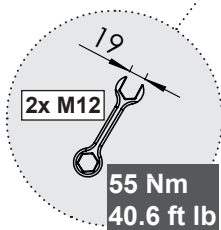
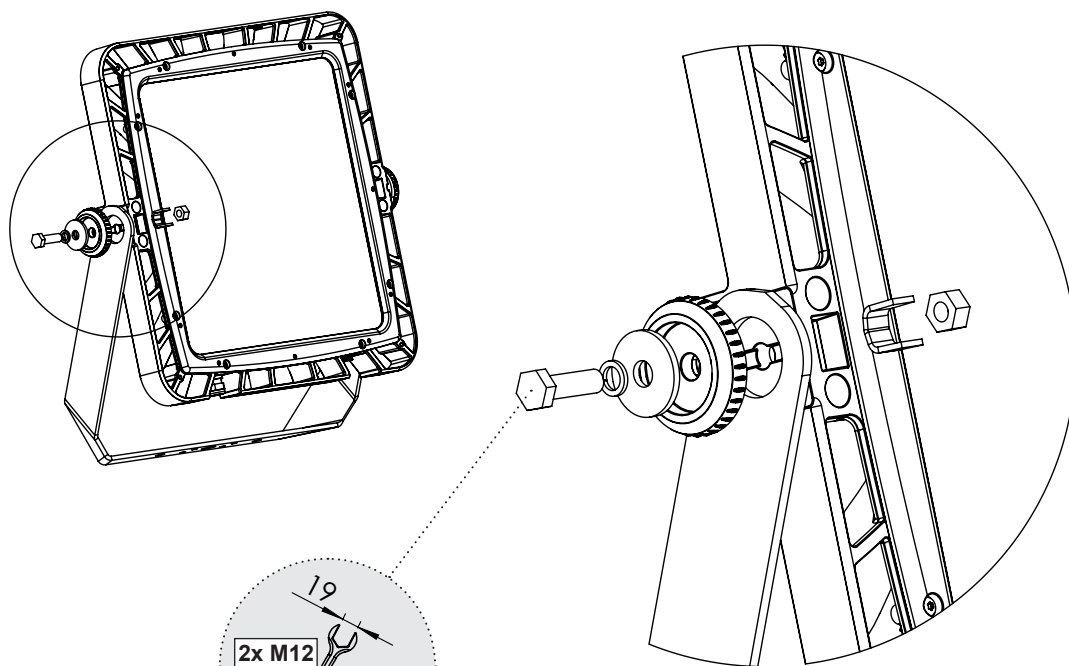
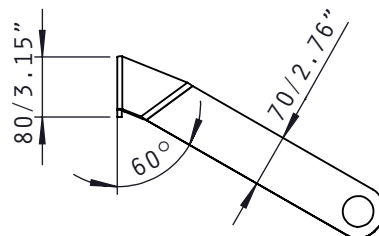
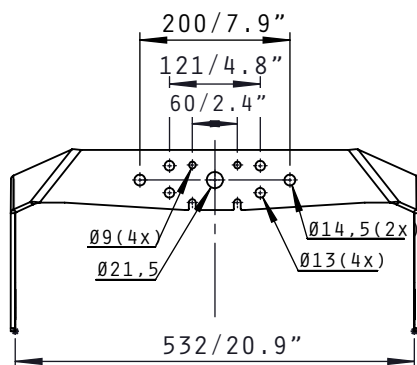


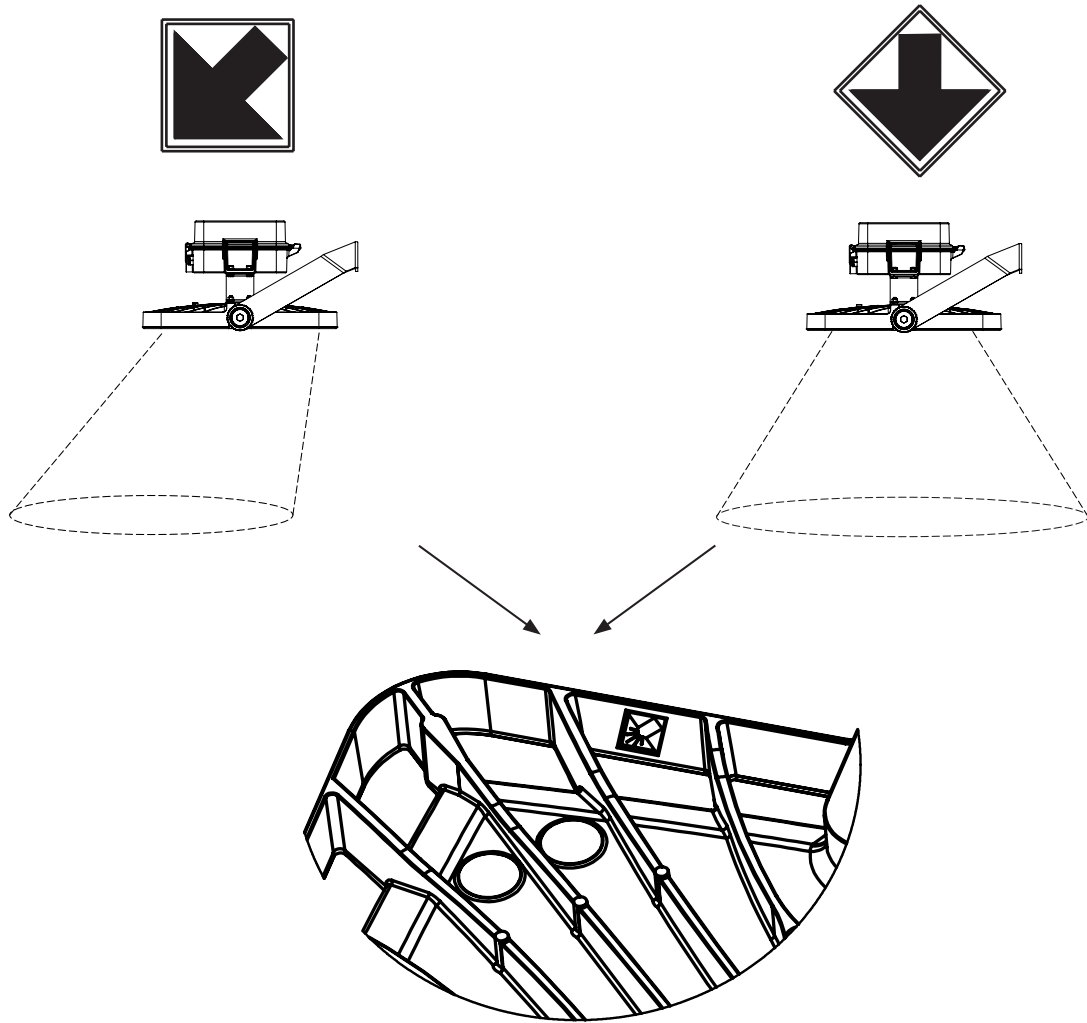
- 1x
- 2x
- 2x
- 2x
- 2x
- 2x
- 2x
- 2x
- 4x
- 4x
- 8x
- 8x
- 8x



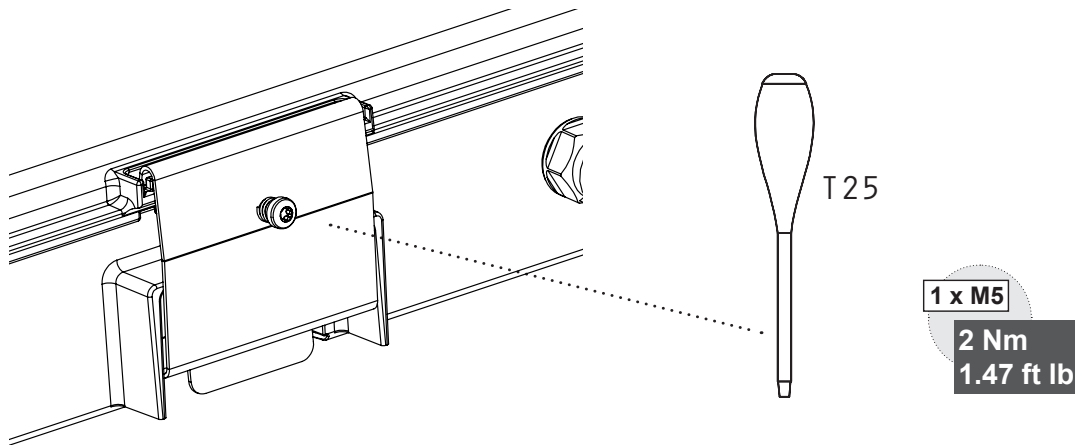
Mounting to vertical or horizontal surface:

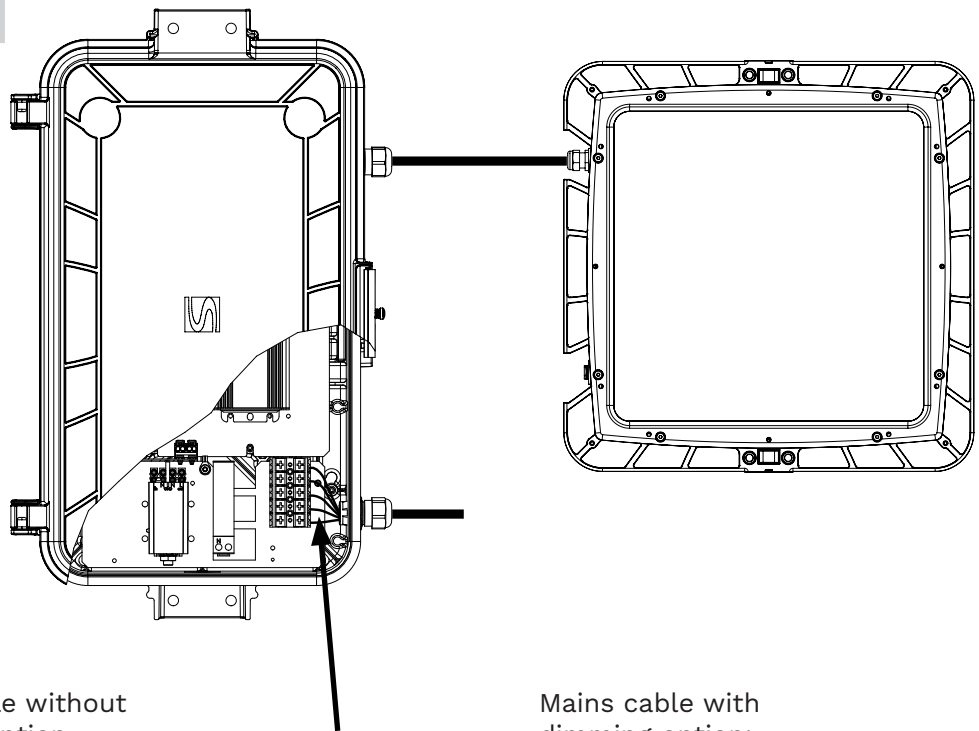
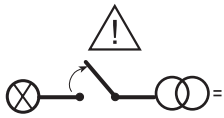
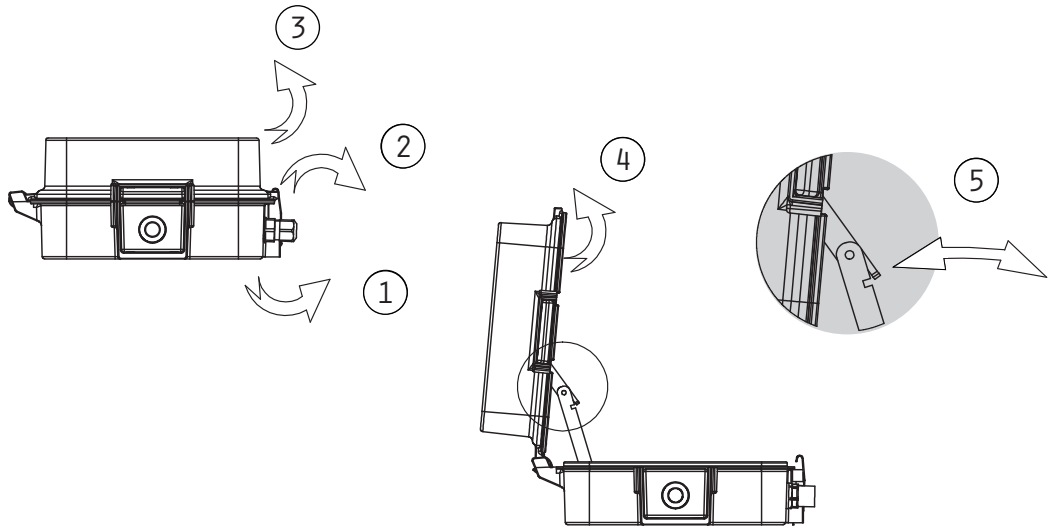
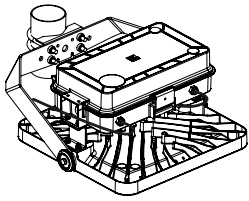
4x min M10 - M12, or
2x min M12 - M14, or
4x M8 + 1x M20





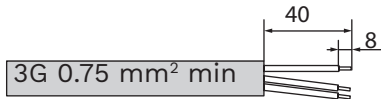
OPTION





Mains cable without dimming option

Cable diameter
ø 7-13



Mains cable with dimming option:
1-10V or DALI

Cable diameter
ø 7-13

