

Schröder

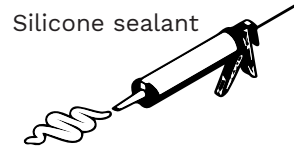
CIRCLE LED BASE

1&2

for HESTIA MIDI

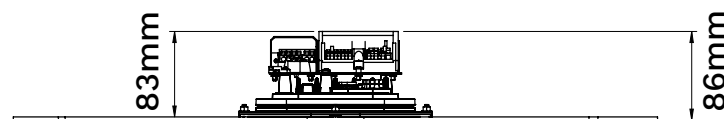
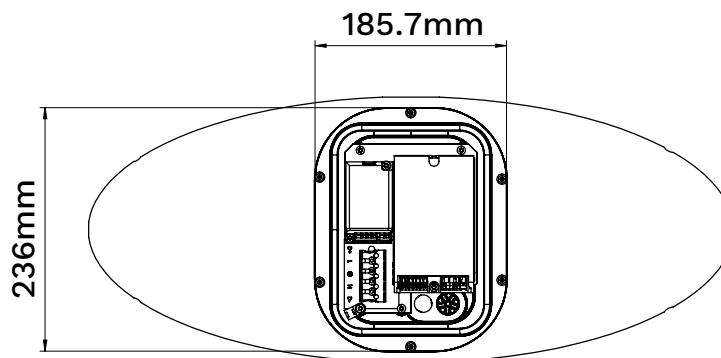
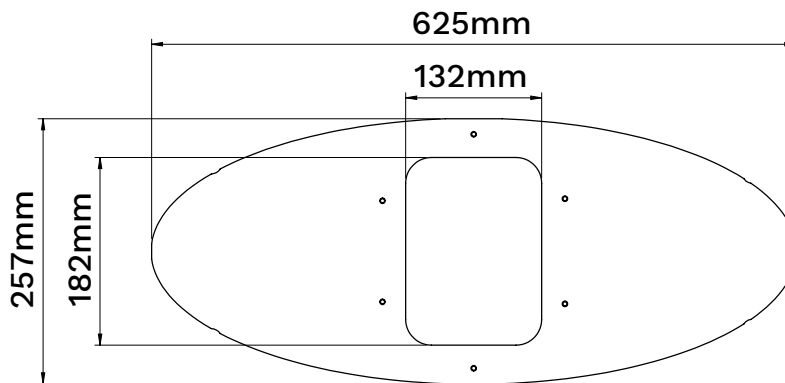
| | | | | | | | | | |
|-----|---------------------------|-----|------------------------------|-----|--------------------------|-----|---------------------------|-----|----------------------|
| ENG | INSTALLATION INSTRUCTIONS | ITA | ISTRUZIONI DI INSTALLAZIONE | NLD | INSTALLATIE INSTRUCTIES | DAN | INSTALLATIONSVEJLEDNING | HUN | TELEPÍTÉSI ÚTMUTATÓ |
| DEU | INSTALLATIONSANLEITUNG | POL | INSTRUKCJE MONTAŻU | RUS | Инструкции по установке | RON | INSTRUCȚIUNI DE INSTALARE | CHI | 安装说明 |
| FRA | INSTRUCTIONS DE MONTAGE | SPA | INSTRUCCIONES DE INSTALACIÓN | POR | INSTRUÇÕES DE INSTALAÇÃO | SWE | INSTALLATIONSANVISNING | UKR | Інструкції з монтажу |
| SRP | UPUTSTVA ZA INSTALACIJU | ARA | تعليمات التركيب | | | | | | |

ALL THE TIGHTENING TORQUES
VALUES ARE GIVEN FOR ASSEMBLIES
WITHOUT THE ADDITION OF A
GREASE DECREASING FRICTION.



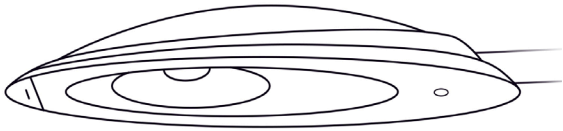
Silicone sealant

HESTIA MIDI WITH CLB1*



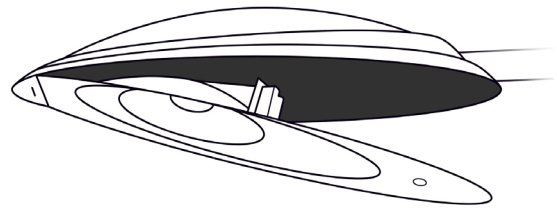
*CLB2 is also available for HESTIA MIDI, with the same adaptation plate size dimensions
(only the cut-out being different)

1



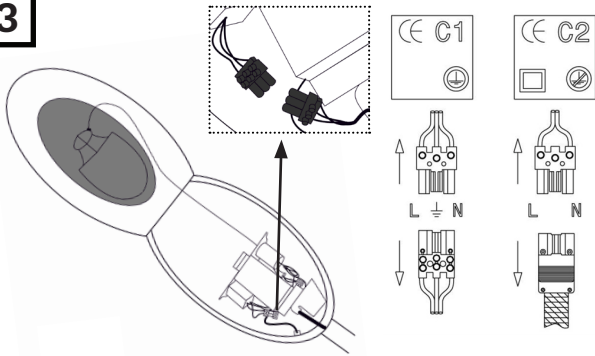
Disconnect the luminaire from network and clean the surface

2



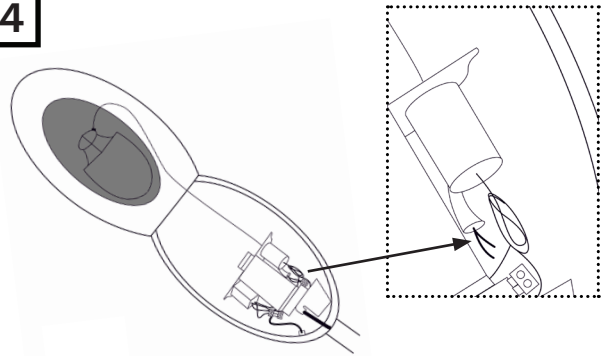
Open the luminaire for gear compartment and light source access

3



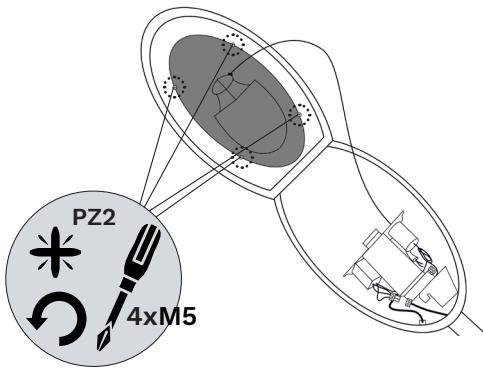
Disconnect mains

4



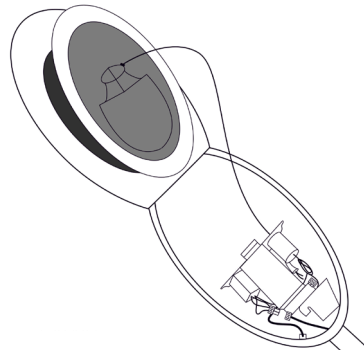
Disconnect HID cables

5



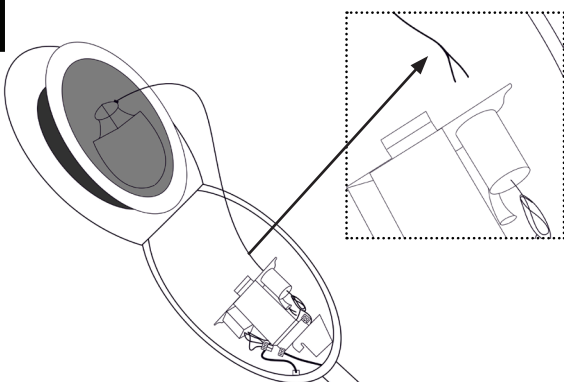
Remove screws holding the optical compartment. **KEEP THESE FOR LATER USE!**

6



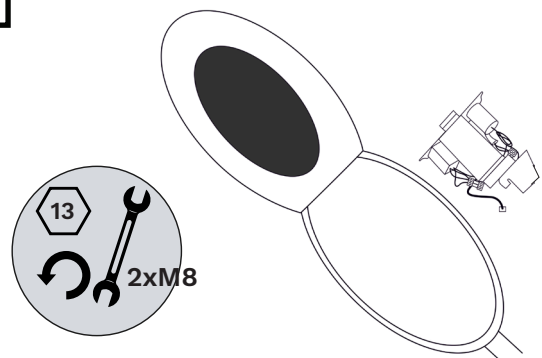
Remove optical compartment

7

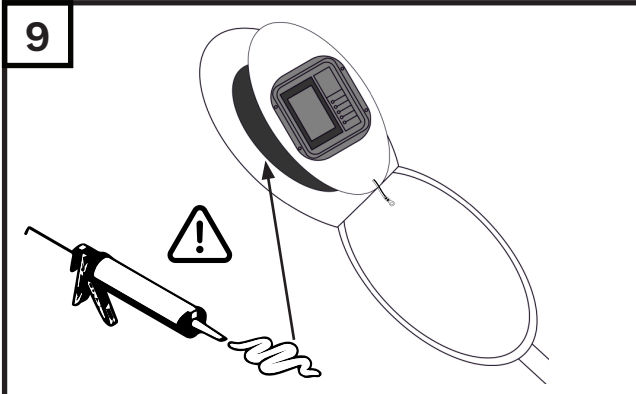


Remove optical compartment connection to gearplate

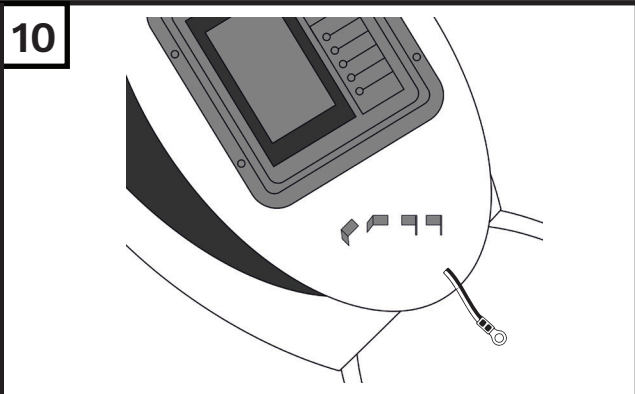
8



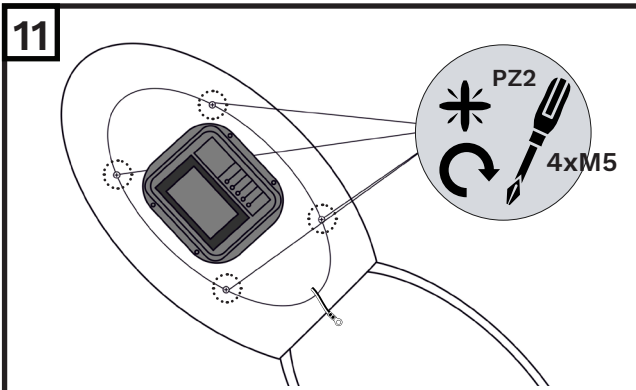
Remove gearplate



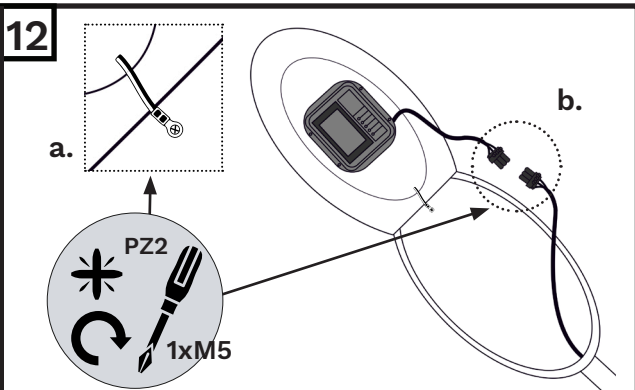
Use silicone sealant in the sealing groove and place CLB adaptation plate into the luminaire



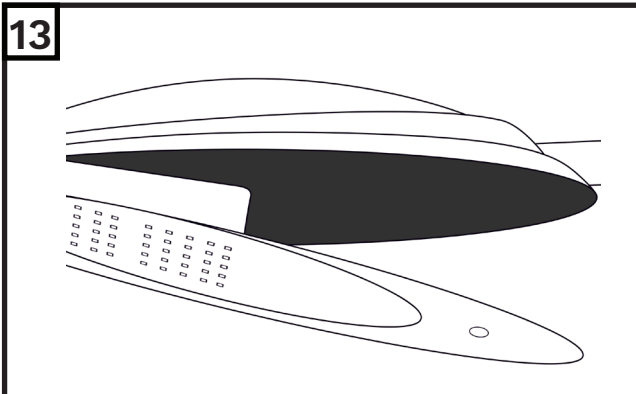
Fix the adaptation plate into position in the luminaire body with the clamps provided and the screws previously removed



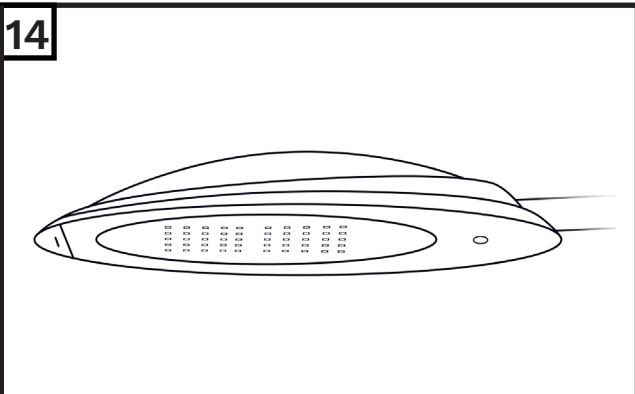
Fasten the adaptation plate and clamps with the screws (tightening torque: 2Nm)



a. Connect earthing cable of the adaptation plate to luminaire body
b. Connect mains cable to CLB unit



Close the lock on the bottom side of the luminaire



Connect the assembly back on network