

Schröder

CIRCLE LED BASE

1&2

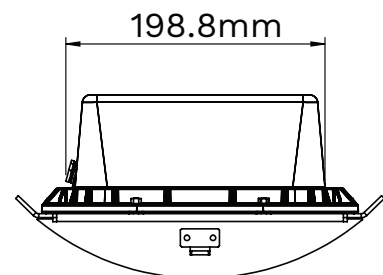
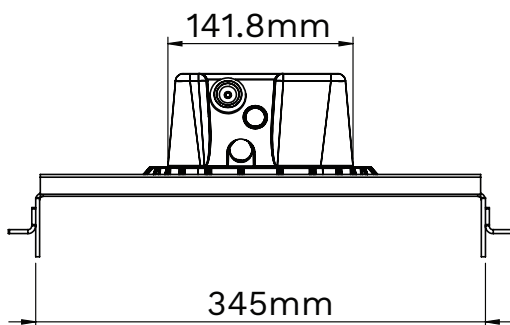
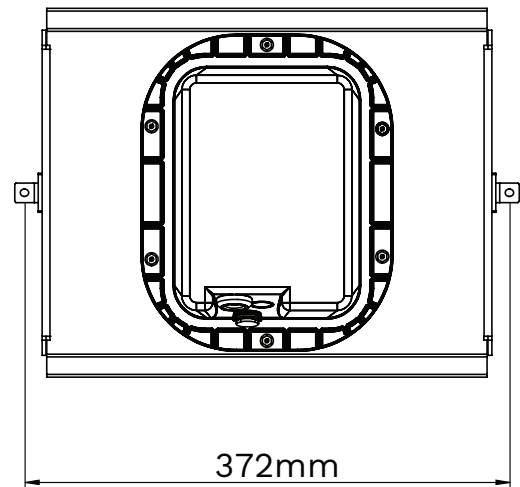
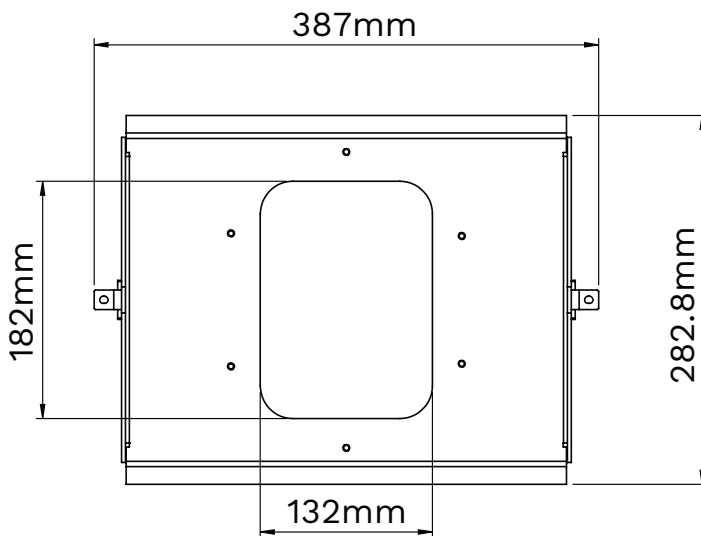
for ONYX2

ENG	INSTALLATION INSTRUCTIONS	ITA	ISTRUZIONI DI INSTALLAZIONE	NLD	INSTALLATIE INSTRUCTIES	DAN	INSTALLATIONSVEJLEDNING	HUN	TELEPÍTÉSI ÚTMUTATÓ
DEU	INSTALLATIONSANLEITUNG	POL	INSTRUKCJE MONTAŻU	RUS	Инструкции по установке	RON	INSTRUCȚIUNI DE INSTALARE	CHI	安装说明
FRA	INSTRUCTIONS DE MONTAGE	SPA	INSTRUCCIONES DE INSTALACIÓN	POR	INSTRUÇÕES DE INSTALAÇÃO	SWE	INSTALLATIONSANVISNING	UKR	Інструкції з монтажу
SRP	UPUTSTVA ZA INSTALACIJU	ARA	تعليمات التركيب						

ALL THE TIGHTENING TORQUES
VALUES ARE GIVEN FOR ASSEMBLIES
WITHOUT THE ADDITION OF A
GREASE DECREASING FRICTION.

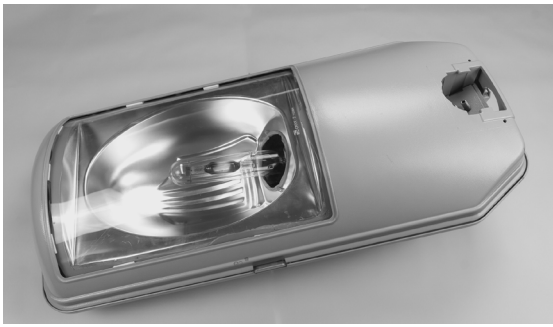


ONYX2 WITH CLB1*



*CLB2 is also available for ONYX2, with the same adaptation plate size dimensions
(only the cut-out being different)

1



Disconnect the luminaire from network and clean the surface

2



Open the lock on the side of the luminaire, then open the luminaire for gear compartment and light source access

3



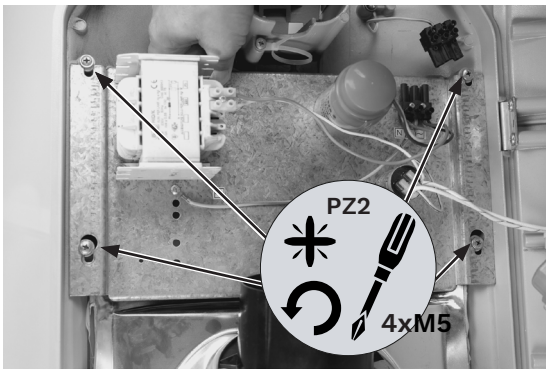
Disconnect mains

4



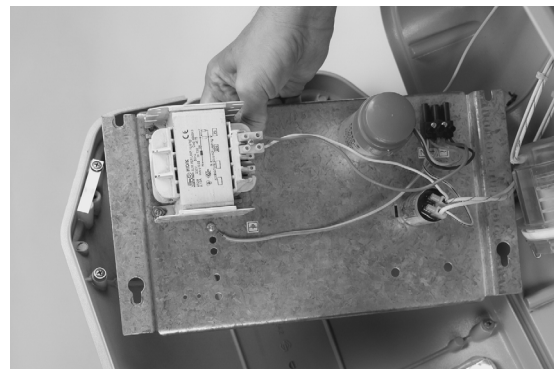
Remove the original light source

5



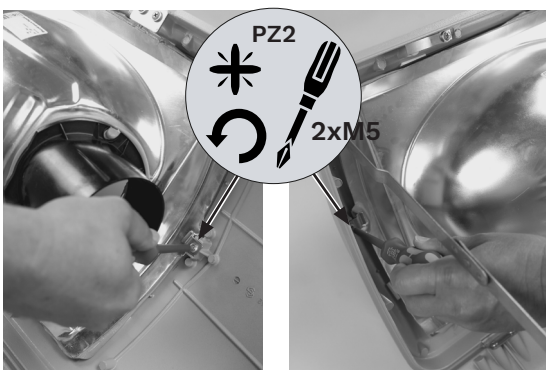
Release screws from gear plate

6



Remove gear plate with ballast from the luminaire

7



Remove screws from the optical compartment
KEEP THESE FOR LATER USE!

8



Remove optical compartment

9a



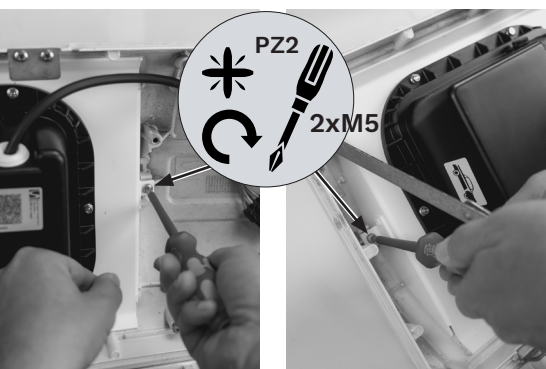
Place CLB adaptation plate into the luminaire

9b



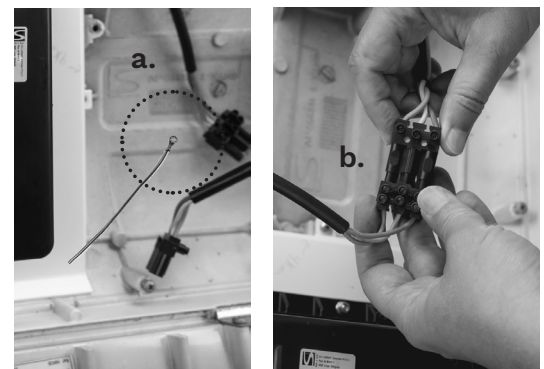
Make sure that the sticker faces the right direction!

10



Fasten the adaptation plate with screws (tightening torque: 2Nm)

11



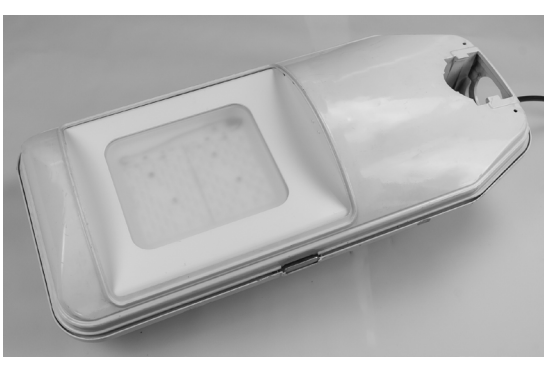
a. Connect earthing cable of the adaptation plate to luminaire body
b. Connect mains cable to CLB unit

12



Close the lock on the side of the luminaire

13



Connect the assembly back on network