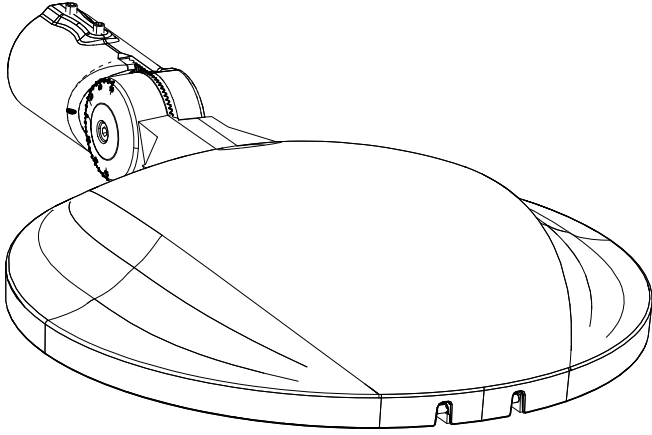


Schröder

TOPIA

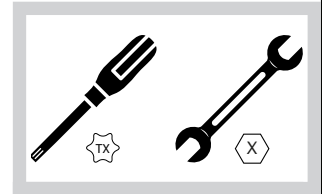
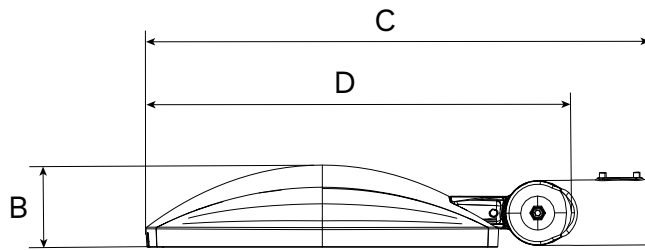
Midi



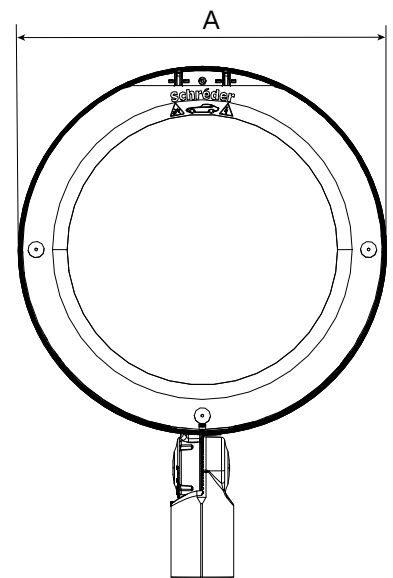
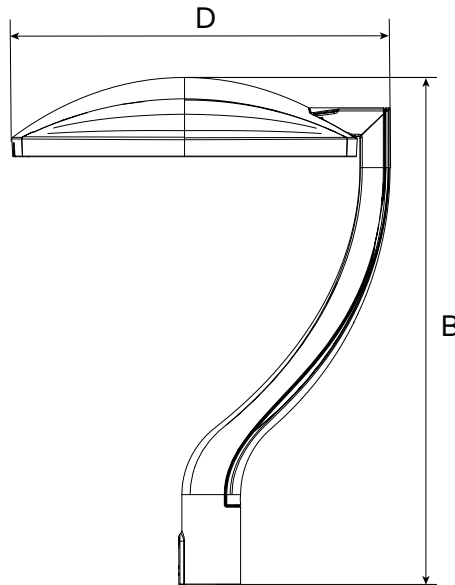
ENG	INSTALLATION INSTRUCTIONS	ITA	ISTRUZIONI DI INSTALLAZIONE	NLD	INSTALLATIE INSTRUCTIES	DAN	INSTALLATIONSVEJLEDNING	HUN	TELEPÍTÉSI ÚTMUTATÓ
DEU	INSTALLATIONSANLEITUNG	POL	INSTRUKCJE MONTAŻU	RUS	Инструкции по установке	RON	INSTRUCȚIUNI DE INSTALARE	CHI	安装说明
FRA	INSTRUCTIONS DE MONTAGE	SPA	INSTRUCCIONES DE INSTALACIÓN	POR	INSTRUÇÕES DE INSTALAÇÃO	SWE	INSTALLATIONSANVISNING	UKR	Інструкції з монтажу
SRP	UPUTSTVA ZA INSTALACIJU	ARA	تعليمات التركيب						



Universal fixation



Post-Top fixation



	Side-Entry	Post-Top
A (mm)	450	
B (mm)	105	675
C (mm)	630	N/A
D (mm)	530	495
Mass (kg)	5,5kg	6,2 kg
Mass tolerance	+/- 0,5kg	

Windage area (Post-Top)		
	Front 0°	Side
Cd.S	0.037 m ²	0.042 m ²
Cs.S	0.001 m ²	0.004 m ²
CL.S	0.024 m ²	0.019 m ²



Torque control



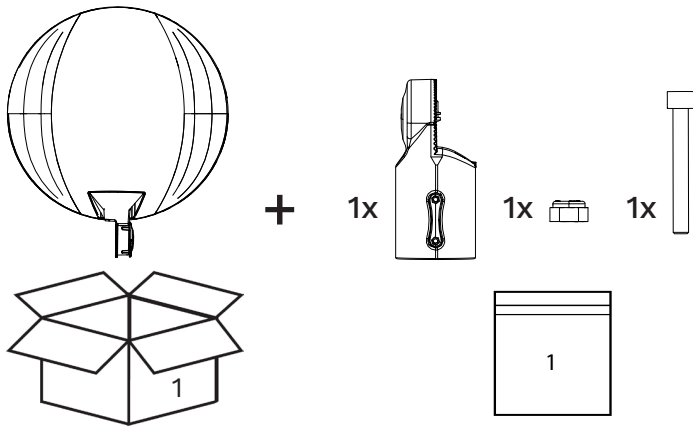
Visual control



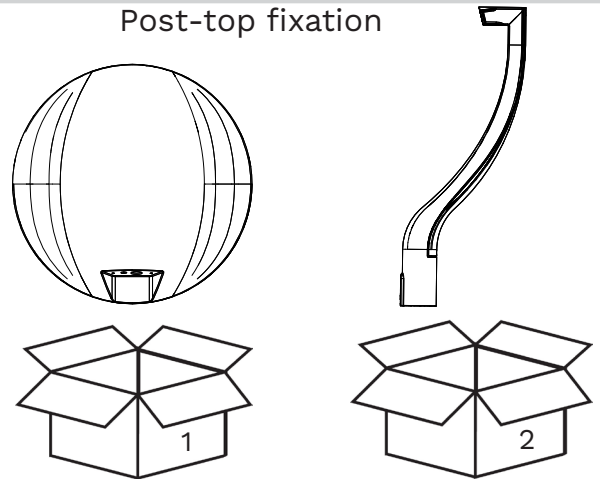
Assembly operation

A. PACKAGING

Universal fixation

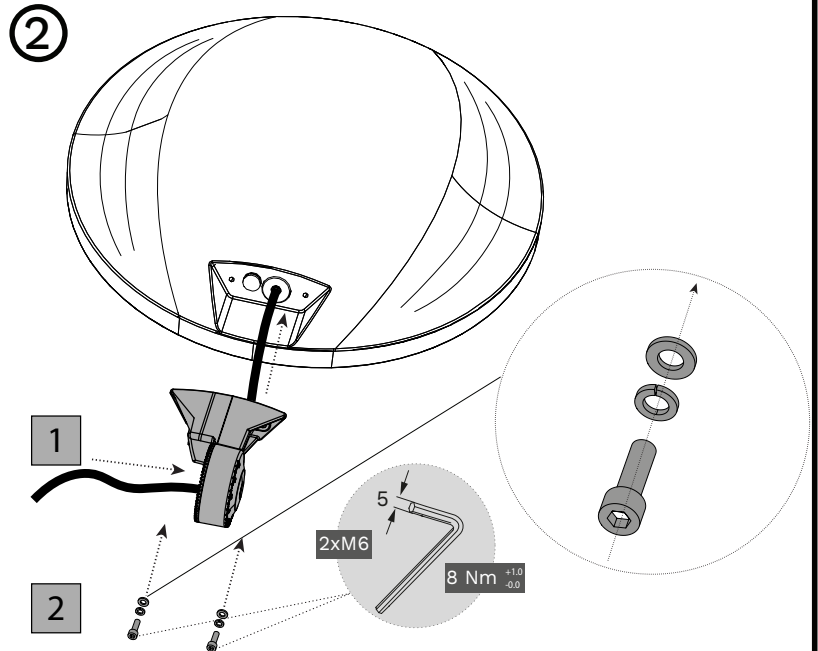
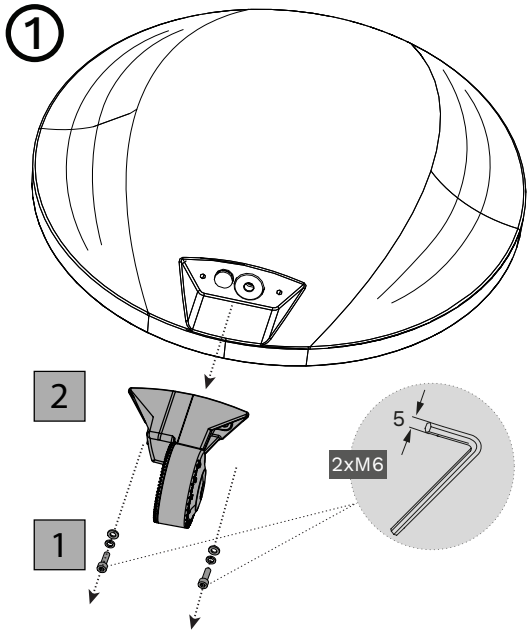


Post-top fixation

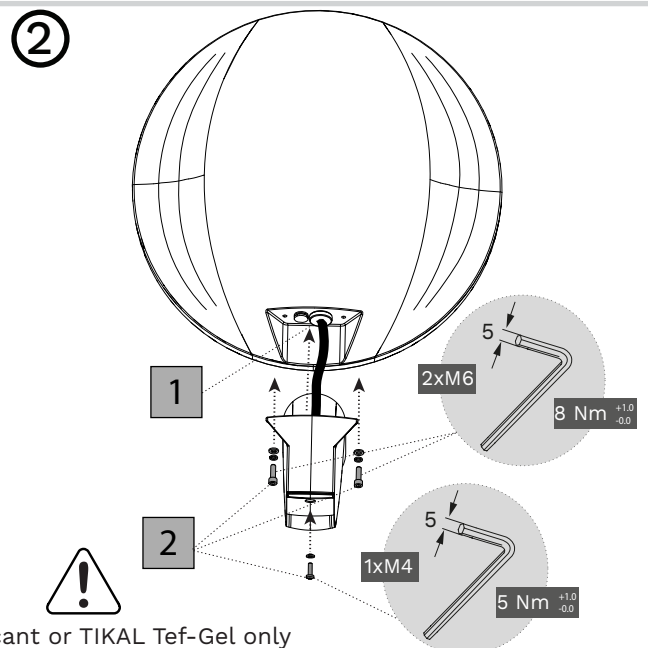
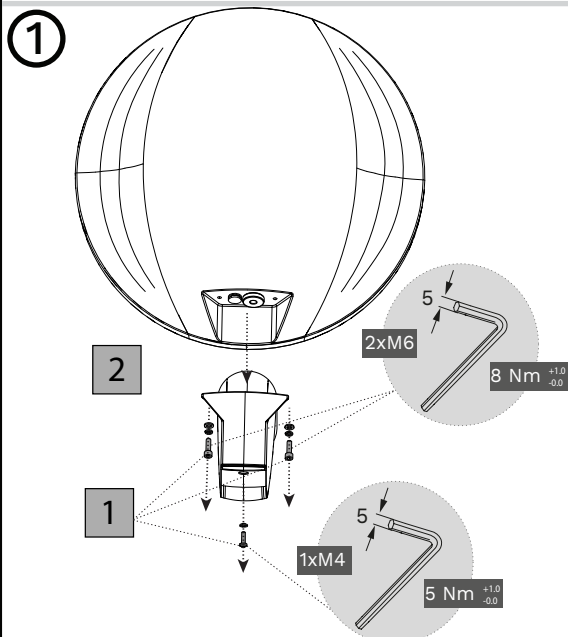


B. MECHANICAL INSTALLATION

UNIVERSAL FIXATION Without main cable

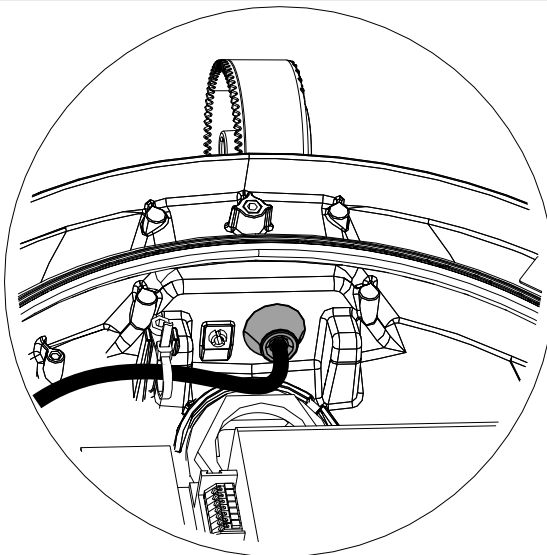


POST-TOP FIXATION Without main cable



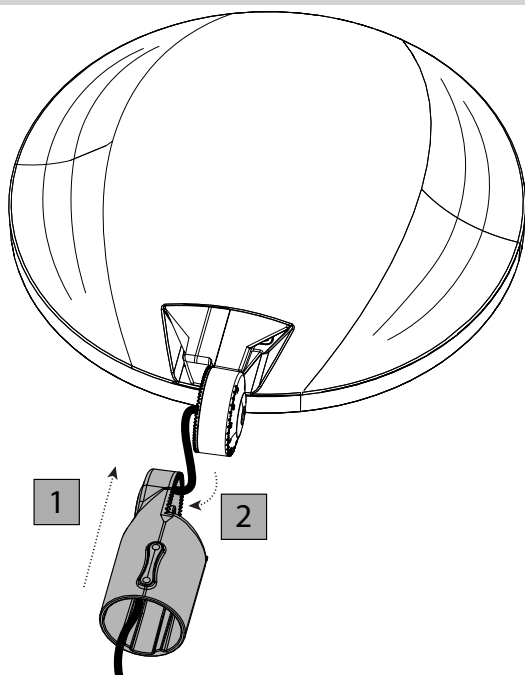
No lubricant or TIKAL Tef-Gel only

3

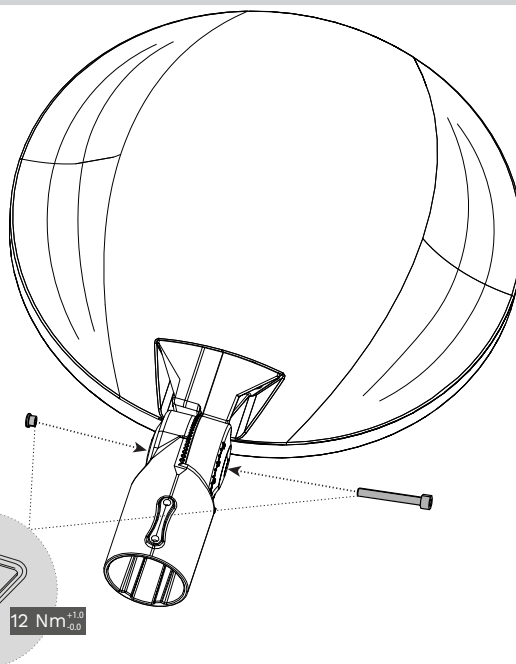


UNIVERSAL FIXATION With and without main cable

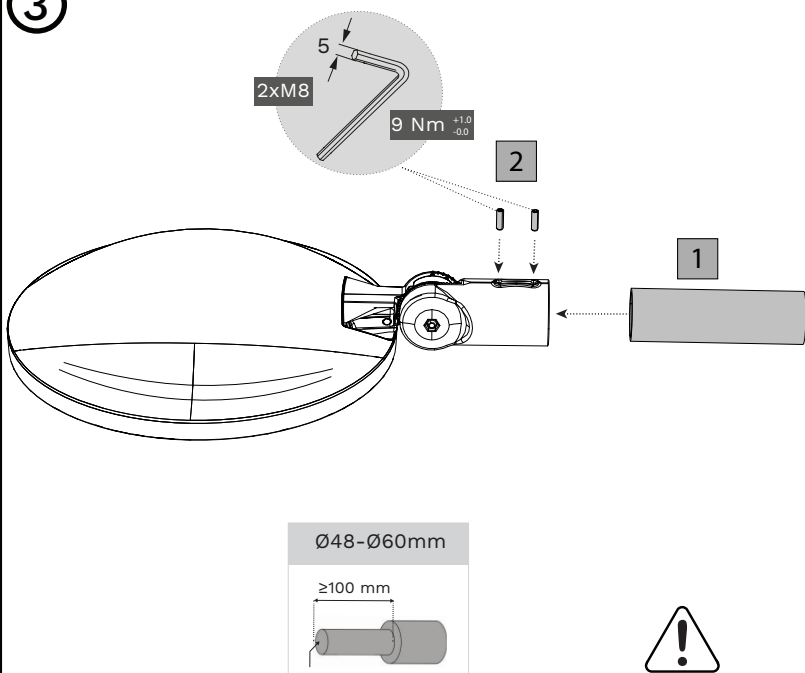
1



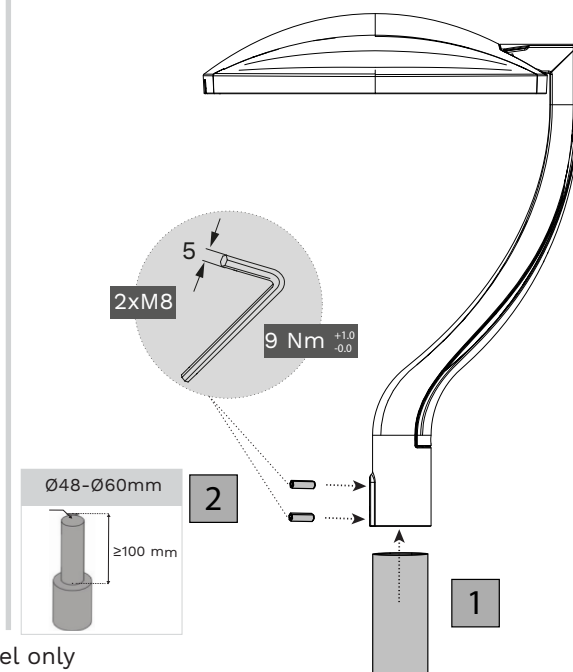
2



3



POST-TOP FIXATION
With and without main cable



No lubricant or TIKAL Tef-Gel only

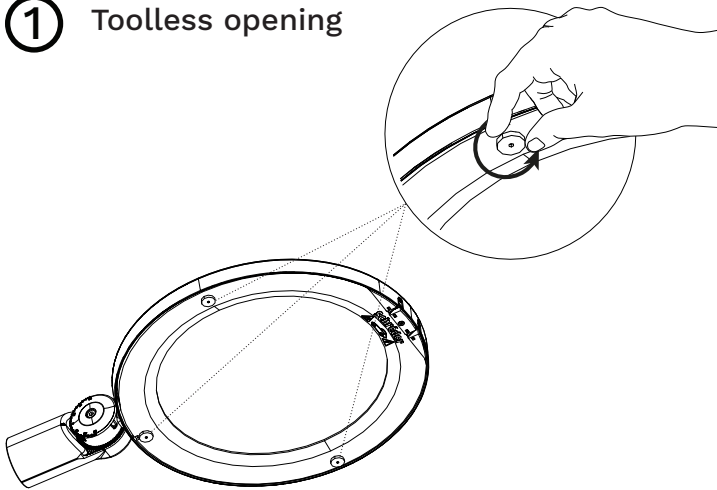




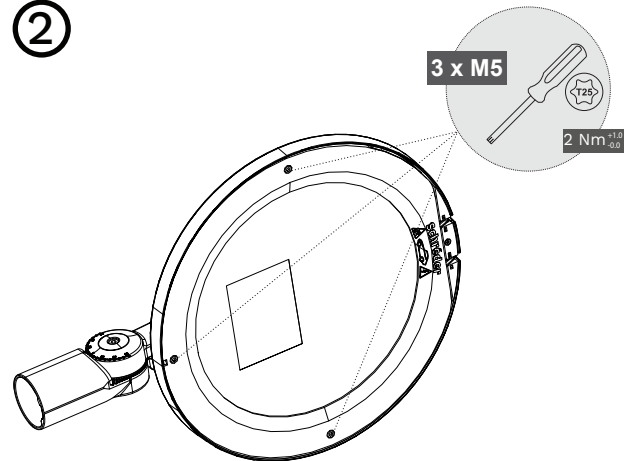
C. ELECTRICAL INSTALLATION

Without main cable

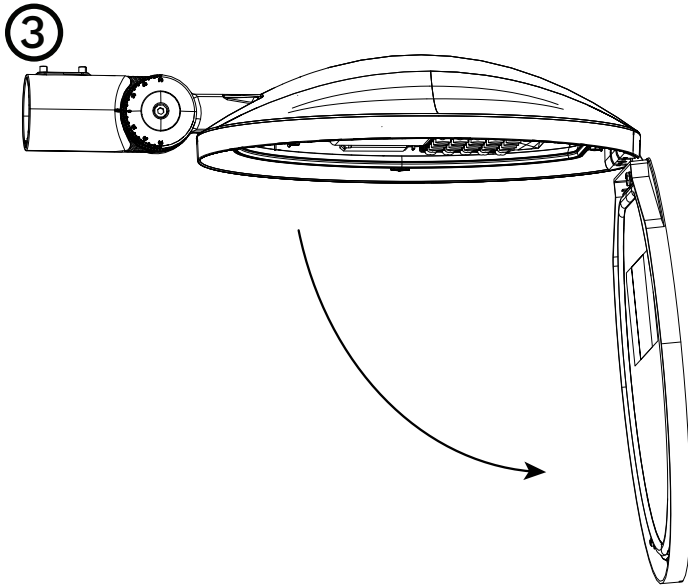
① Toolless opening



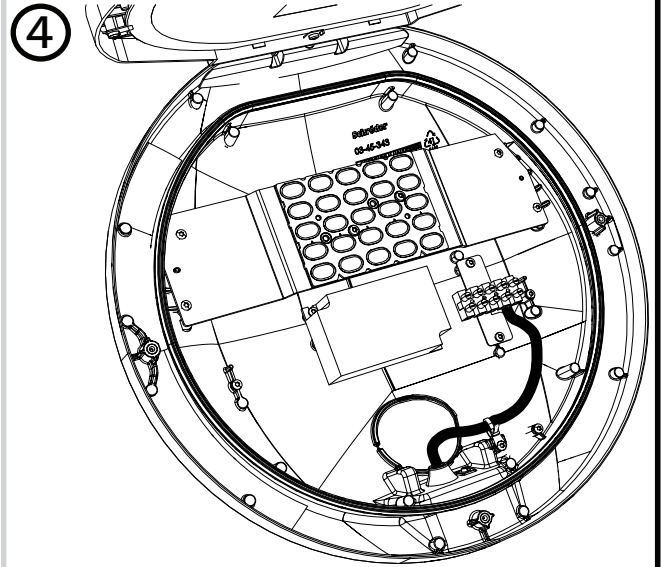
②



③

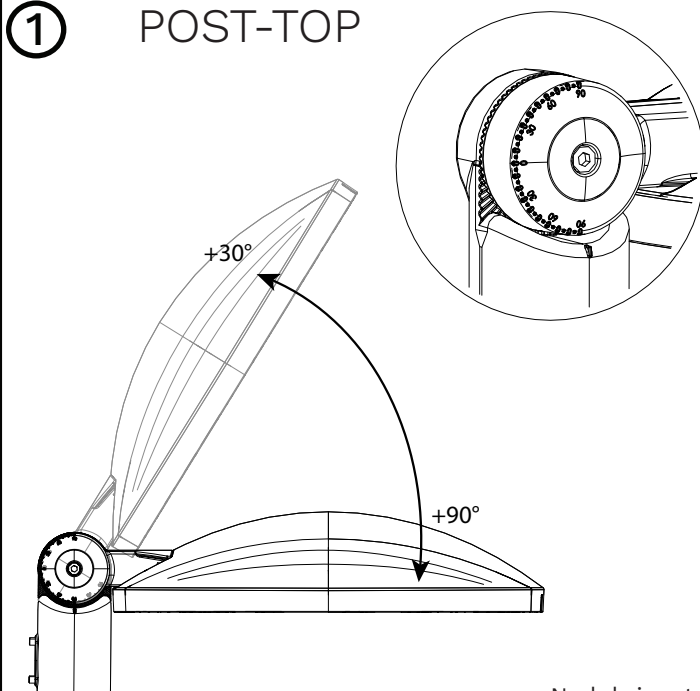


④

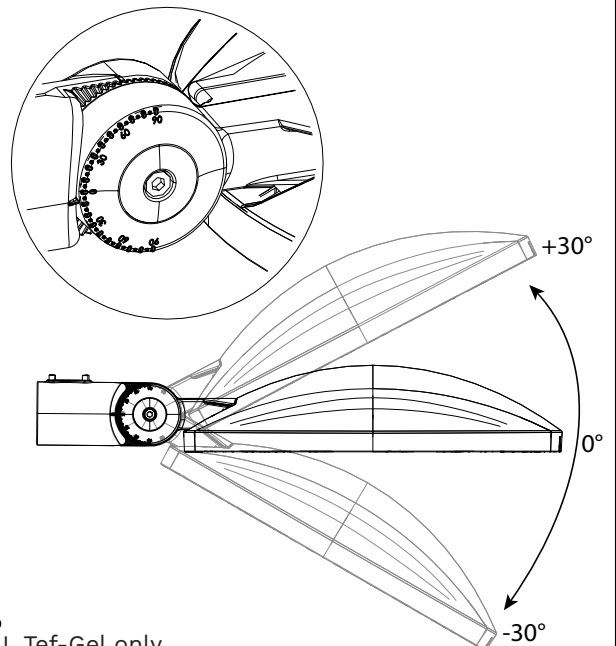


D. KNUCKLE JOINT ANGLE

① POST-TOP

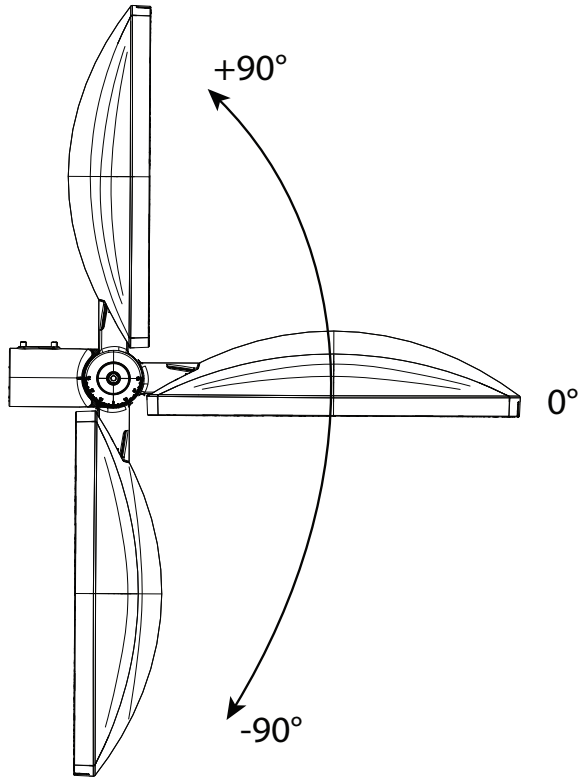


SIDE-ENTRY



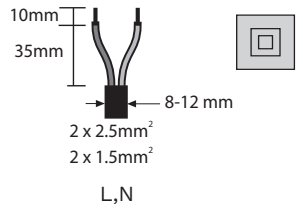
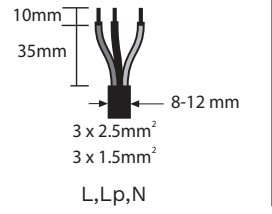
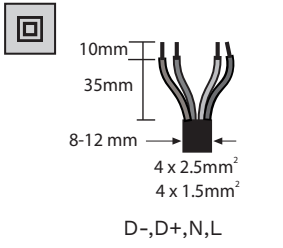
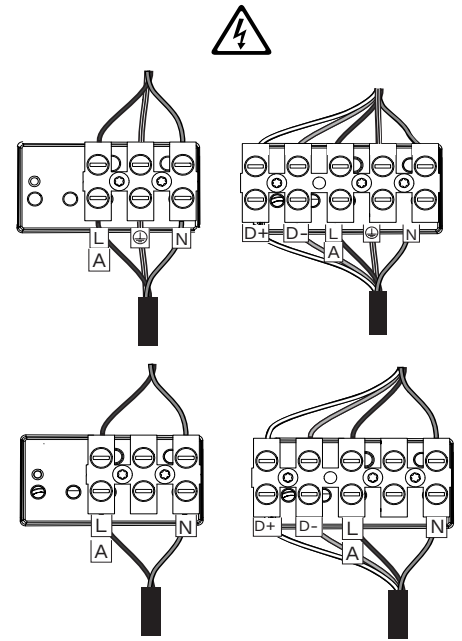
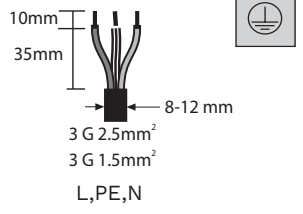
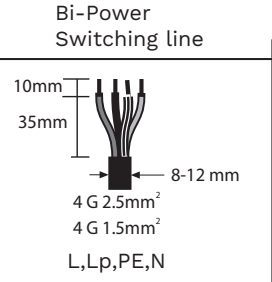
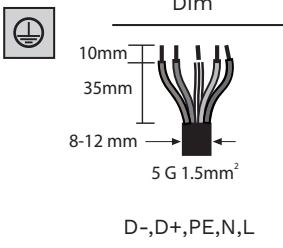
No lubricant or TIKAL Tef-Gel only

② Operating range 180°



E. CONNEXIONS No main cable supply

Line and neutral MUST be respected !



No lubricant or TIKAL Tef-Gel only

