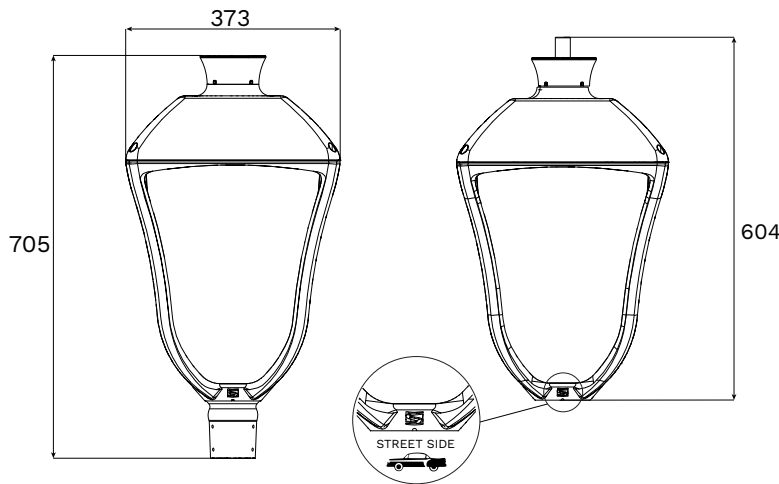


Schröder STYLAGE

ENG	INSTALLATION INSTRUCTIONS	ITA	ISTRUZIONI DI INSTALLAZIONE	NLD	INSTALLATIE INSTRUCTIES	DAN	INSTALLATIONSVEJLEDNING	HUN	TELEPÍTÉSI ÚTMUTATÓ
DEU	INSTALLATIONSANLEITUNG	POL	INSTRUKCJE MONTAŻU	RUS	Инструкции по установке	RON	INSTRUCȚIUNI DE INSTALARE	CHI	安装说明
FRA	INSTRUCTIONS DE MONTAGE	SPA	INSTRUCCIONES DE INSTALACIÓN	POR	INSTRUÇÕES DE INSTALAÇÃO	SWE	INSTALLATIONSANVISNING	UKR	Інструкції з монтажу
SRP	UPUTSTVA ZA INSTALACIJU	ARA	تعليمات التركيب						

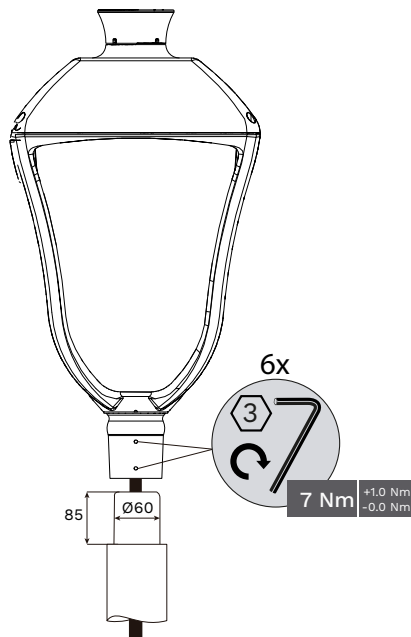


ALL THE TIGHTENING TORQUES VALUES ARE GIVEN FOR ASSEMBLIES WITHOUT THE ADDITION OF A GREASE DECREASING FRICTION.

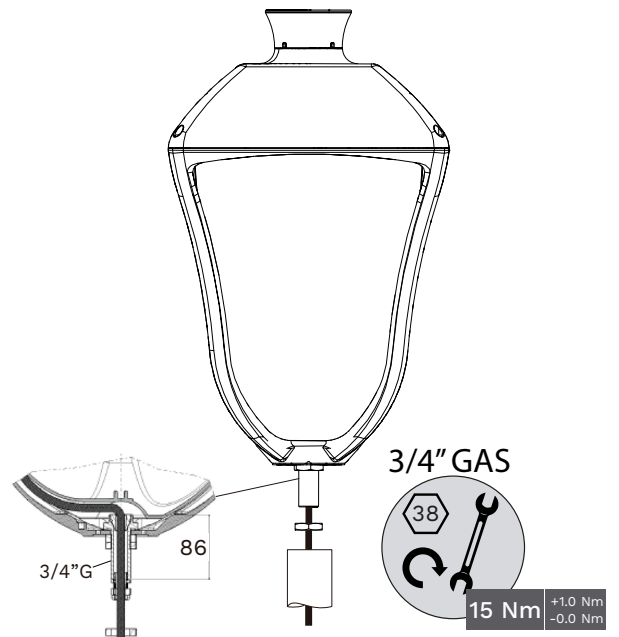


FIXATION

A Post Top Ø60



B Post Top 3/4" Gas



Torque control

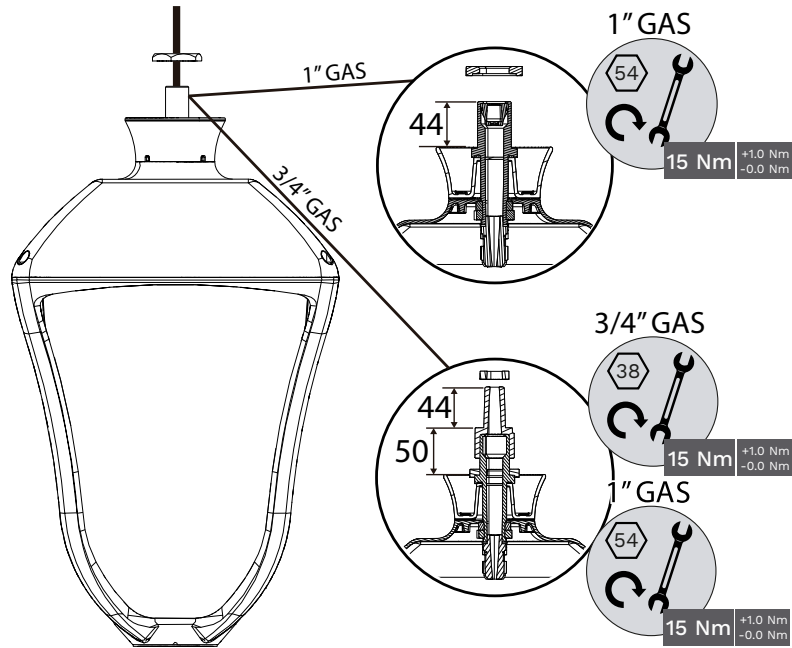


Visual control

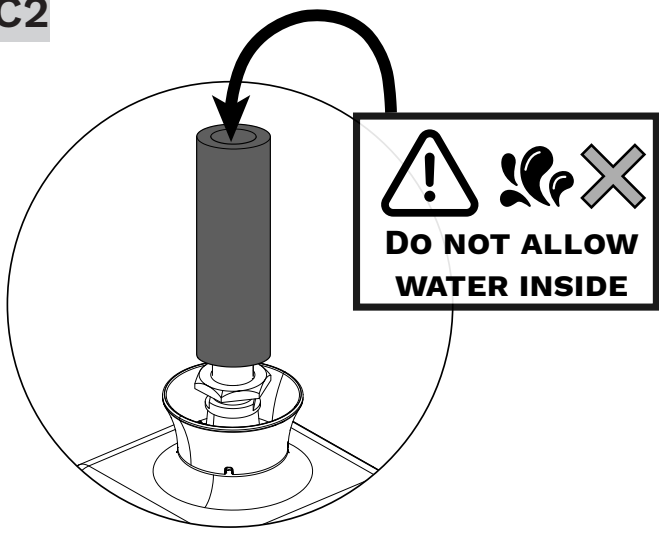


Assembly operation

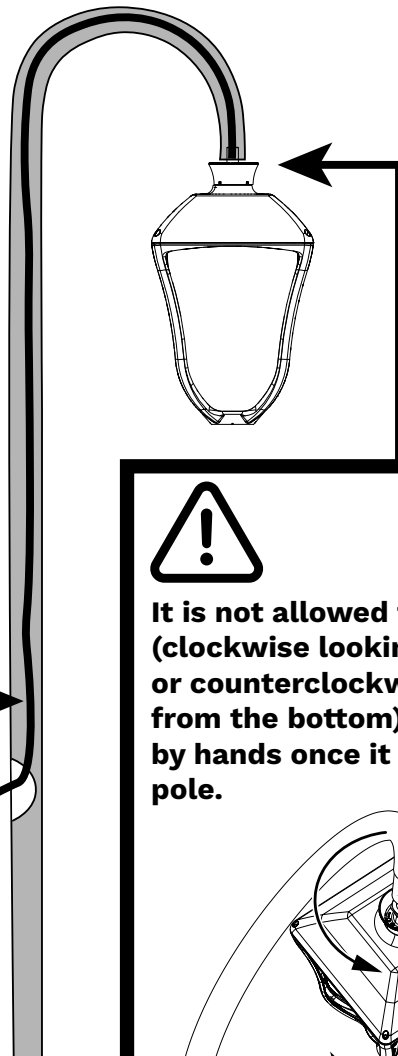
C1 Suspended



C2



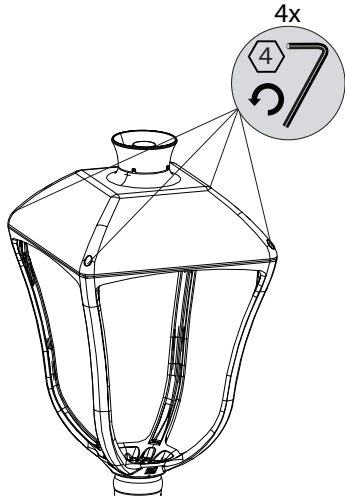
C3



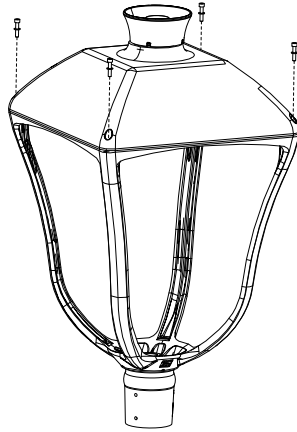


OPENING

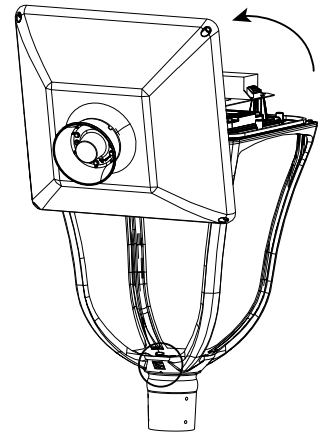
1



2

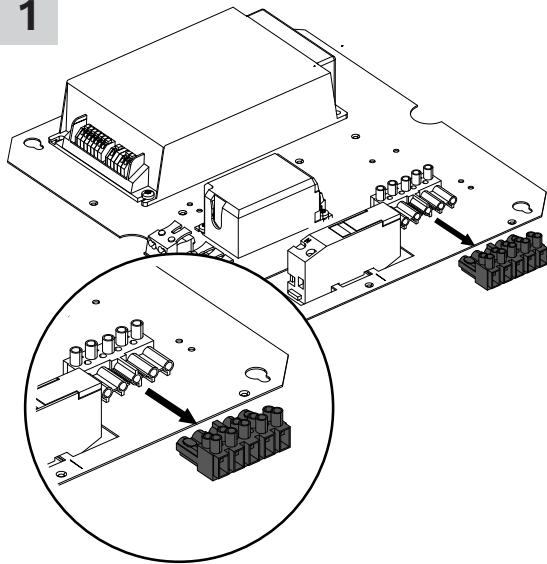


3

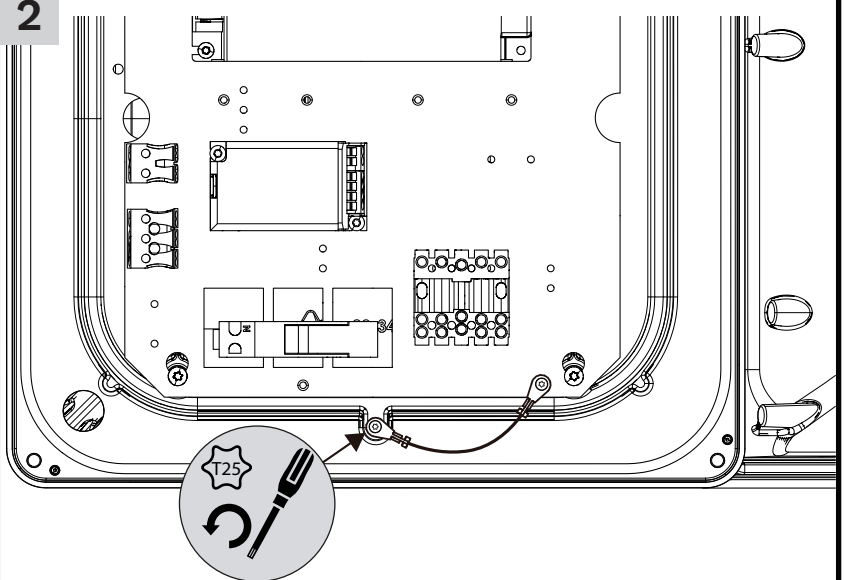


MAINTENANCE - ACCESS GEAR COMPARTMENT

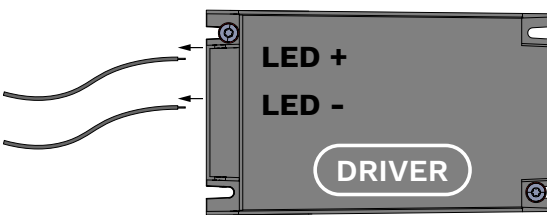
1



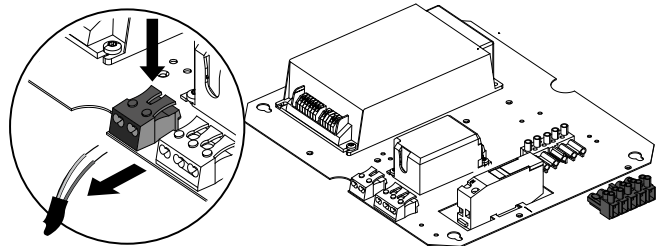
2



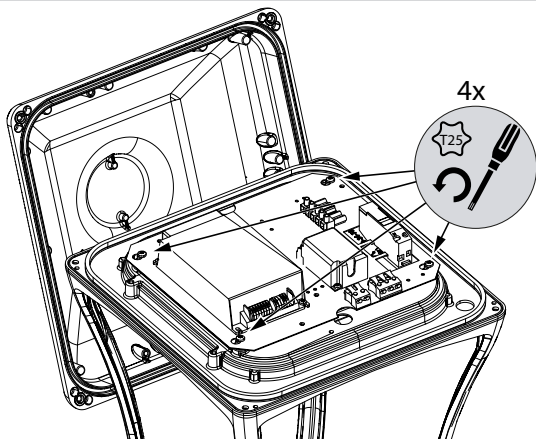
3



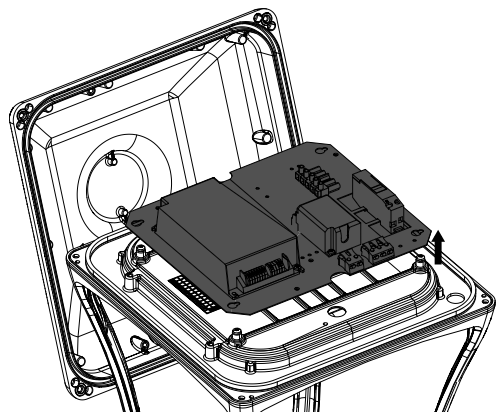
4 IF LG DRIVER



5



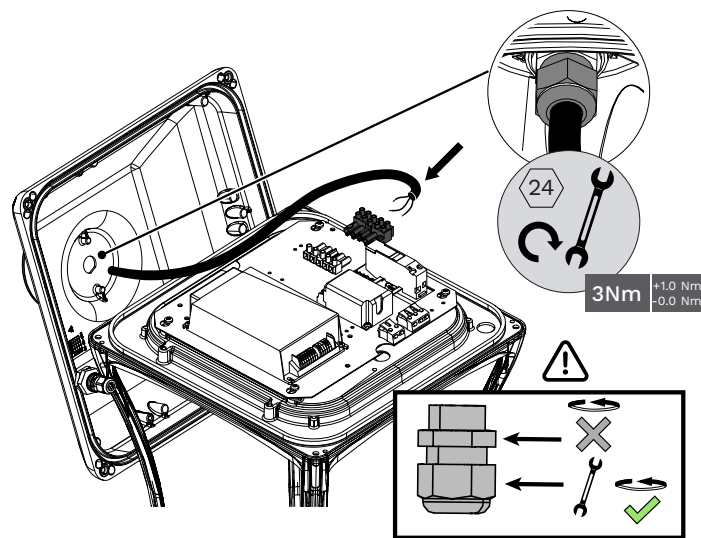
6



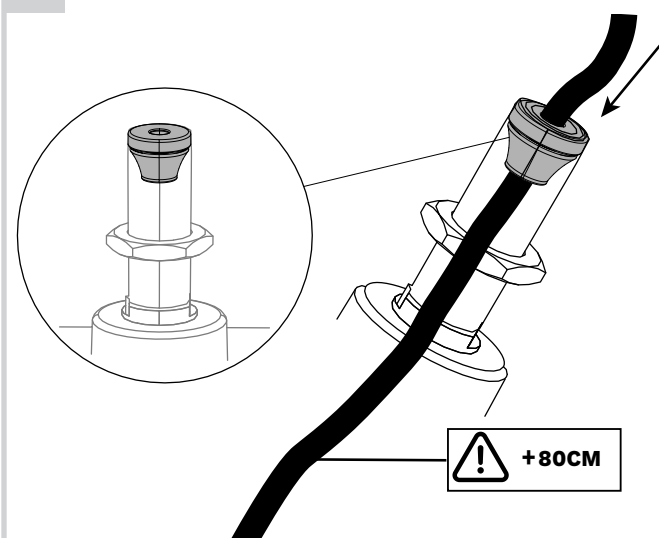
⚠️ ⓧ | CONNECTION - IF NO MAIN CABLE

**⚠️ CABLE REQUIREMENTS : H05VV-F, H07RN-F OR SOOW COMPLIANT / Ø8 - 13MM
NO GREASE, NO TWISTS AND NO DETERIORATION**

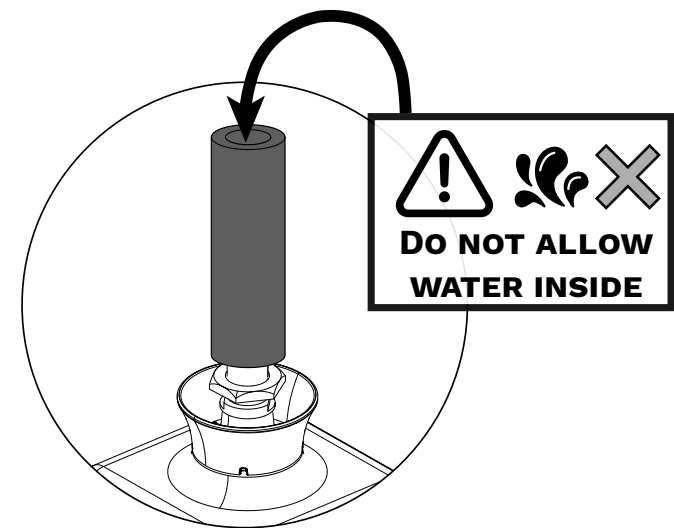
A1 Suspended



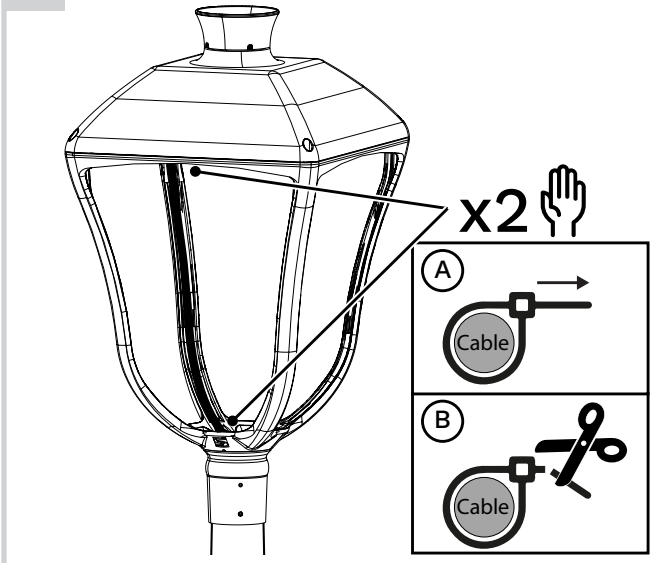
A2



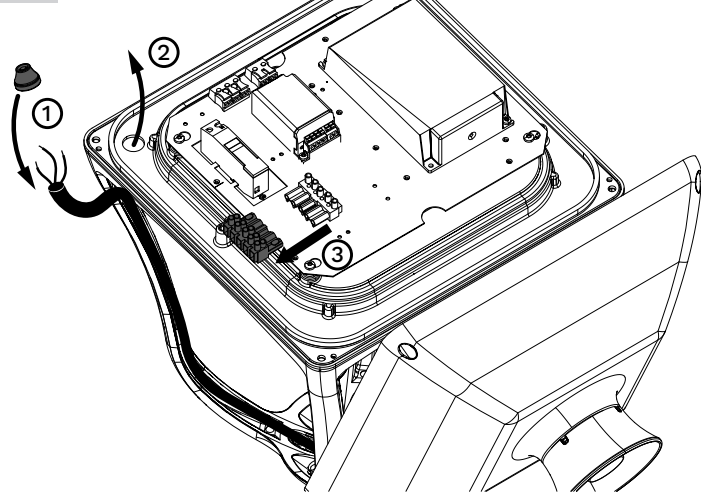
A3



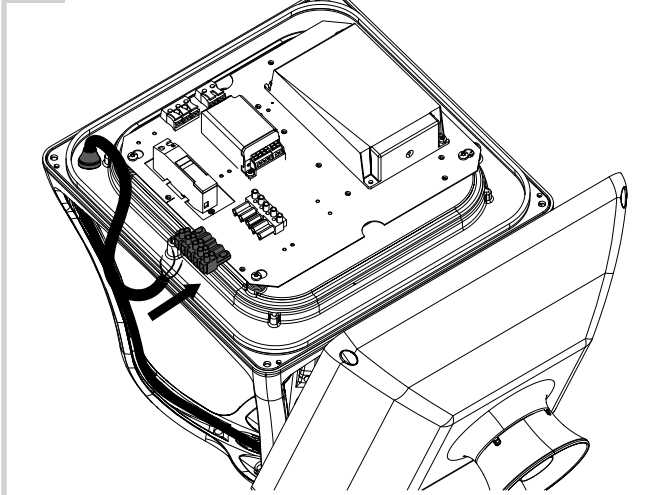
B1 Post Top

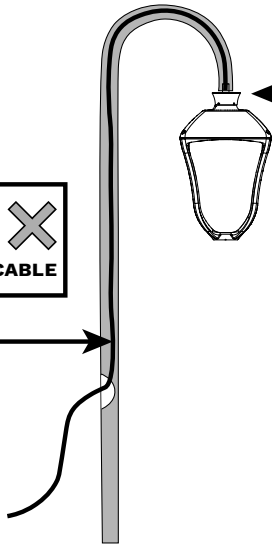


B2



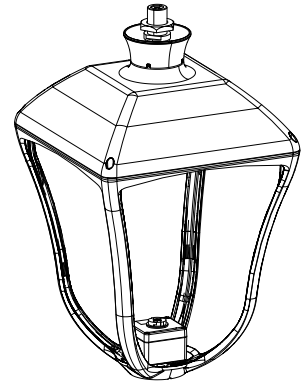
B3





!

It is not allowed to rotate back (clockwise looking from TOP or counterclockwise looking from the bottom) the luminaire by hands once it is fixed to pole.



Suspended version with communication node: it is mandatory to remove the photocell functionality

! CONNECTION - NO MAIN CABLE SUPPLY

! LINE AND NEUTRAL MUST BE RESPECTED !

